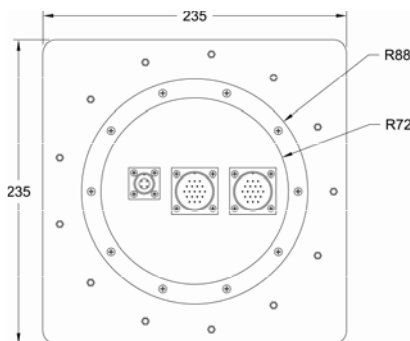
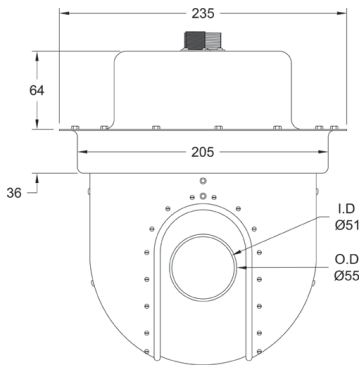


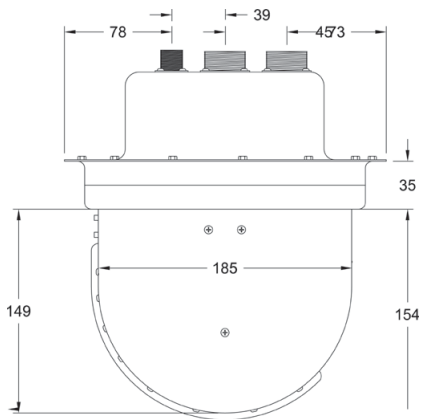
GSP-900 GYRO-Stabilized Camera System

Options:

- Rack mounted configuration
- Auxiliary monitors
- LP Video Tape Recorder
- Target Auto tracker
- Air-to-Ground transmission



The GSP-900 series of platforms are a cost effective means of performing discrete surveillance tasks with Daylight or Lowlight sensor packages in color, monochrome or infra red formats. The small, compact, remotely-controlled unit provides both motion isolation and angular stabilization of the sensor package. The outer stage gimbal dome enclosure absorbs all environmentally induced vibrations and positions the optical port hole window to the line of sight of the camera system. The inner gimbal is isolated from all vehicle vibrations and provides active gyro stabilization of the pitch and yaw angular axes. The operator views the video image, and all critical system parameters, on a color video monitor. The video image may also be recorded or transmitted, in real-time, to ground stations through a microwave link.



PLATFORM:	Two-axis line of sight stabilization (two inner and two outer gimbals)
Stability	Less than 50 microradians RMS in pitch and yaw.

COLOR VIDEO		
CAMERA	Pick up device Picture Elements Filter Image Size S/N Ratio Video Format Resolution Min. Sensitivity	CCD 380,000 pixels RGB pure Color Equiv. to 1/2" CC 46 dB RS-170A or CCIR 500 TV lines 2 lux

Specifications	
CONTROL	
Elevation Slew Rates	0-30 degrees/second
Azimuth Slew Rates	0-60 degrees/second
Acceleration Rate	300 degrees/second
Pan Range	360 degrees continuous
Tilt Range	+20 degrees to -110 degrees
ELECTRICAL	
Single-source	12VDC nominal @ 3 Amps.
Voltage Range	12-18 VDC
HANDHELD CONTROLLER	
Mount	Pan, Tilt, Tracking
Lens	Zoom, Focus, Auto Iris
Monitor	Video overlay of all system parameters
PHYSICAL DATA	
Mount	9 inch. Dia. 4 lb.
Monitor	5x5x12 inches 4 lbs
Handheld	
Controller	2x2x6 inches 1 lb
System control unit (Optional)	6x8x12 inches 9 lb.
BUILT-IN TEST	
Self-test	Status page on monitor.
ENVIRONMENTAL	
Operation	- 20 to +40 degrees C