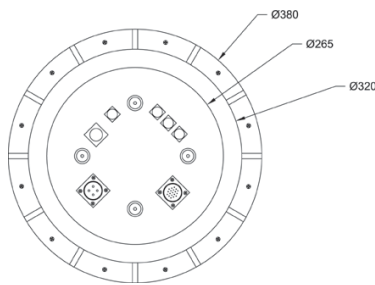
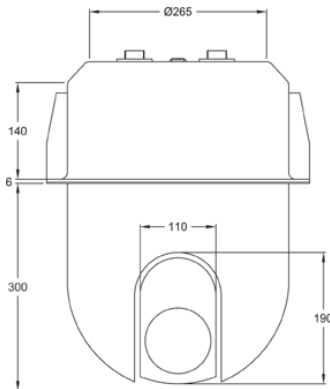


# GSP-1200 GYRO-Stabilized Camera System

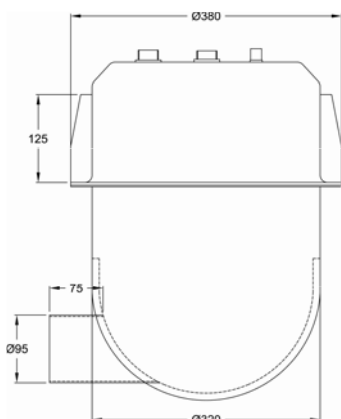
## Options:

- Rack mounted configuration
- Auxiliary monitors
- LP Video Tape Recorder
- Target Auto tracker
- Air-to-Ground transmission



The GSP-1200 series of platforms are a cost effective means of performing discrete surveillance tasks with Daylight or Lowlight sensor packages in color, monochrome or infra red formats. The small, compact, remotely-controlled unit provides both motion isolation and angular stabilization of the sensor package. The outer stage gimballed dome enclosure absorbs all environmentally induced vibrations and positions the optical port hole window to the line of sight of the camera system. The inner gimbal is isolated from all vehicle vibrations and provides active gyro stabilization of the pitch and yaw angular axes. The operator views the video image, and all critical system parameters, on a color video monitor. The video image may also be recorded or transmitted, in real-time, to ground stations through a microwave link.

<b>PLATFORM:</b>	Two-axis line of sight stabilization (two inner and two outer gimbals)
Stability	Less than 50 microradians RMS in pitch and yaw.



<b>COLOR VIDEO</b>		
<b>CAMERA</b>	Pick up device Picture Elements Filter Image Size S/N Ratio  Video Format Resolution Min. Sensitivity	CCD  380,000 pixels RGB pure Color Equiv. to 1/2" CC 46 dB  RS-170A or CCIR 500 TV lines 2 lux

Specifications	
<b>CONTROL</b>	
Elevation Slew Rates	0-30 degrees/second
Azimuth Slew Rates	0-60 degrees/second
Acceleration Rate	300 degrees/second
Pan Range	360 degrees continuous
Tilt Range	+20 degrees to -110 degrees
<b>ELECTRICAL</b>	
Single-source	12VDC nominal @ 8 Amps.
Voltage Range	26-30 VDC
<b>HANDHELD CONTROLLER</b>	
Mount	Pan, Tilt, Tracking and vehicle slaving.
Lens	Zoom, Focus, Auto Iris
Monitor	Video overlay of all system parameters including: Time & Date, Pitch and Yaw position.
<b>PHYSICAL DATA</b>	
Mount	12 inch. Dia.      41 lb.
Monitor	5x5x12 inches      4 lbs
<b>Handheld</b>	
Controller	2x2x6 inches      1 lb
System control unit (Optional)	6x8x12 inches      16 lb.
<b>BUILT-IN TEST</b>	
Self-test	Status page on monitor.
<b>ENVIRONMENTAL</b>	
Operation:	- 20 to +40 degrees C